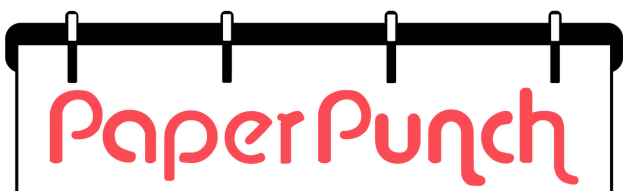


koala ACOUSTIC LIGHTING



ECO FRIENDLY – MADE IN UK, MADE IN IRELAND – 3 YEAR GUARANTEE

Koala ACOUSTIC LIGHTING

Koala Acoustic lighting is the intelligent fusion of high-performance illumination and sound-absorbing design. By integrating acoustic materials directly into light fixtures, it reduces echo, softens background noise, and creates calmer, more comfortable environments—without compromising on aesthetics.

In today's modern workplaces, open-plan layouts and hard surfaces often amplify noise, making focus and communication more difficult. Koala Acoustic Lighting is designed to solve this challenge seamlessly. Our fixtures enhance speech clarity, support concentration, and contribute to overall well-being, transforming busy offices into spaces that feel balanced, productive, and considered.

Each Koala light delivers true 2-in-1 functionality: exceptional lighting quality paired with effective acoustic performance. By combining two essential elements into a single, space-saving solution, our designs elevate modern working environments—visually, acoustically, and experientially.

View our website to explore all options.



Scarlet

Bring clarity and balance to your interiors with Scarlet, a sleek linear pendant designed for both visual impact and acoustic comfort. Engineered from high-performance sound-absorbing materials, Scarlet reduces background noise while delivering efficient, even illumination, making it an ideal solution for open offices, meeting rooms, and hospitality spaces. Its elongated silhouette creates a modern, minimal statement across ceilings, while the suspended design adds a sense of lightness and flow. Fitted with a replaceable linear LED source, Scarlet combines long-lasting performance with easy maintenance. A luminaire that refines both atmosphere and acoustics, Scarlet is where function meets understated elegance.



Features

- Acoustic material for noise reduction
- Sleek linear design for contemporary spaces
- Suspended form adds visual lightness
- Replaceable linear LED source
- Uniform, efficient light output
- Sustainable fabric construction
- Laser Linear black or white 4ft fittings
- Select between warm white 3000k or cool white 4000
- Wattage can be set at 24W, 32W or 40W

Dimensions

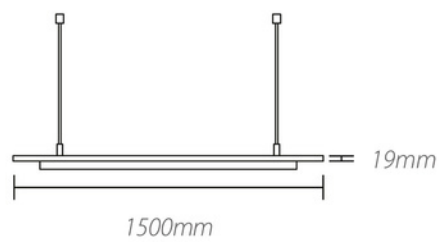
Full Fitting: 1500 x 350 x 39mm

Lamp Size: 1200 x 60 x 75mm

Finishes



Grey



BELLE

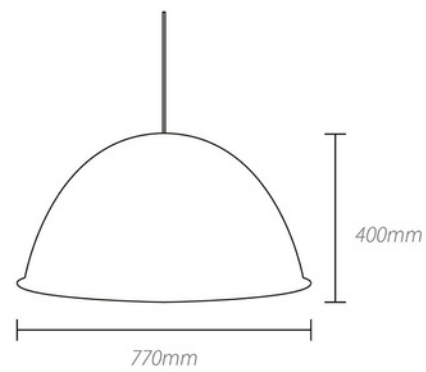
Make a bold yet refined statement with Belle, a pendant that merges strong geometry with functional comfort. Shaped from sustainable, sound-absorbing fabric, Belle's fluted dome design reduces unwanted noise while creating a striking architectural feature overhead. Its sculptural ridges add depth, texture, and rhythm to ceilings, transforming functional lighting into a design focal point. The wide dome ensures generous, diffused illumination, making it ideal for large commercial or hospitality settings. Belle combines ease of maintenance with long-term performance. Both commanding and calming, this luminaire enhances interiors by balancing acoustics, atmosphere, and form.



Features

- Acoustic material for effective noise reduction
- Sculptural fluted dome design for texture and presence
- Wide pendant shade for generous light distribution
- Soft, ambient light output
- Sustainable fabric construction

Dimensions



Finishes



Grey



Lilo

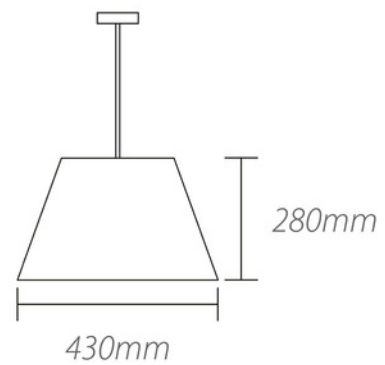
Make a statement in your space with Lilo, a contemporary lighting solution designed to do more than just illuminate. Crafted from high-performance acoustic materials, this oversized fixture reduces ambient noise while enhancing the aesthetics of modern commercial environments, from open-plan offices to hospitality venues. Featuring a striking vertical contrast stitch detail along the fabric joint, the pendant adds texture and visual interest to any ceiling landscape. Designed for easy maintenance and long-term versatility, the E27 lamp (not supplied) can be replaced when needed. Elevate both form and function with a luminaire that speaks volumes—quietly.



Features

- Acoustic material for noise reduction
- Oversized statement design
- Vertical contrast stitch detail
- Soft, ambient light output
- Sustainable fabric construction

Dimensions



Finishes

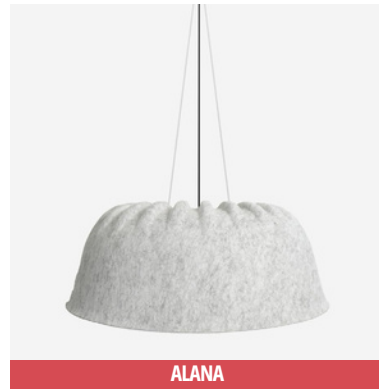


Grey



Alana

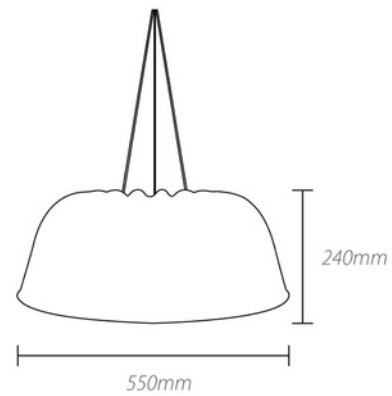
Add depth and character to your space with Alana, a pendant designed to combine sculptural presence with functional performance. Constructed from sustainable, sound-absorbing fabric, Alana reduces ambient noise while delivering soft, even illumination. Its gently gathered form creates a tactile, textile-inspired finish that adds warmth and visual softness to commercial and hospitality interiors. Suspended with a lightweight cable system, Alana appears to float overhead, making it a striking yet calming addition to any space. Designed for longevity, Alana ensures both long-lasting use and ease of maintenance. A luminaire that balances acoustic benefit with crafted design, Alana elevates atmosphere through both look and feel.



Features

- Acoustic material for effective noise reduction
- Unique gathered fabric design for texture and character
- Suspended pendant for floating visual effect
- Soft, ambient light output
- Sustainable fabric construction

Dimensions



Finishes



Grey



SINEAD

Introduce elegance and acoustic comfort with Sinead, a pendant that blends organic form with sustainable function. Crafted from sound-absorbing fabric, Sinead reduces unwanted noise while casting a soft, inviting light which is perfect for dining areas, lounges, and collaborative workspaces. The dome-shaped shade creates a calming presence, while the natural wooden detail at the suspension point adds warmth and a tactile accent to the design. Designed for long-term practicality as well as aesthetic appeal, Sinead offers a harmonious balance of form, light, and acoustics, enhancing spaces with understated character.

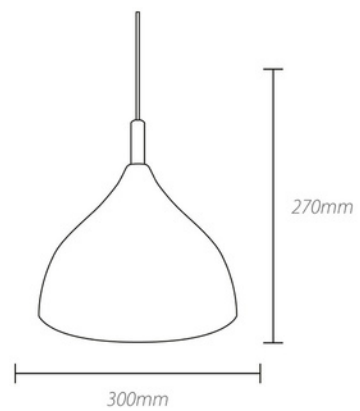


SINEAD

Features

- Acoustic material for effective noise reduction
- Smooth dome design with natural wood accent
- Soft, ambient light output
- Blends organic style with modern function
- Sustainable fabric construction

Dimensions



Finishes



Grey



POPPY

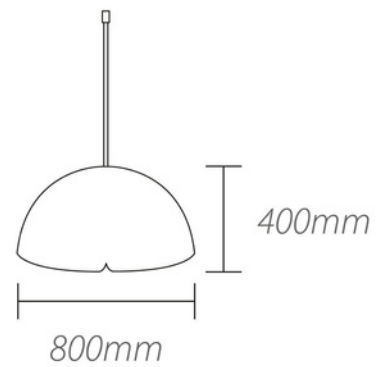
Bring character and comfort to your interiors with Poppy, a pendant that combines soft curves with practical performance. Inspired by organic forms, Poppy's petal-like segments create a sculptural silhouette that softens ceiling landscapes while adding a touch of playfulness. Crafted from sustainable, sound-absorbing fabric, it reduces background noise and enhances acoustic comfort in open-plan offices, hospitality settings, and creative workspaces. Poppy delivers warm, ambient light while ensuring easy, long-term maintenance. Both decorative and functional, Poppy transforms ceilings into design features that improve atmosphere in more ways than one.



Features

- Acoustic material for effective noise reduction
- Distinct petal-inspired design for sculptural character
- Wide pendant shade for soft, ambient illumination
- Sustainable fabric construction
- Ideal for commercial, hospitality, and creative interiors

Dimensions



Finishes



Grey



POPPY XL

Poppy XL creates a bold feature for larger interiors. Built in modular sections, Poppy XL starts at 1.2 m and can be extended up to 2.4 m. Each additional section comes with an extra E27 lamp socket. This flexibility makes it an ideal solution for open-plan offices, hospitality venues, and collaborative workspaces of any size. Its petal-inspired form not only makes a sculptural statement but also reduces ambient noise, softening both sound and atmosphere. Designed with replaceable E27 lamps, Poppy XL delivers warm, ambient illumination while ensuring long-term adaptability and ease of maintenance.



POPPY XL - 1200MM



POPPY XL - 1600MM



POPPY XL - 2000MM

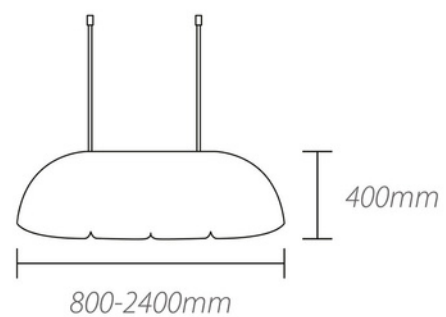


POPPY XL - 2400MM

Features

- Modular construction allows the length to be extended
- More E27 lamp sources increased to suit the desired length
- Oversized acoustic pendant for large scale environments
- Petal inspired design for sculptural texture and presence
- Sustainable acoustic fabric for effective noise reduction
- Wide light distribution for generous ambient illumination
- Ideal for commercial, hospitality, and open plan settings

Dimensions



Finishes



Grey

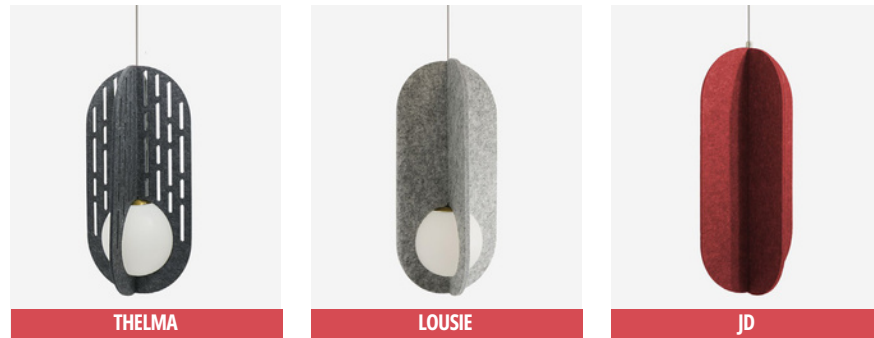


PENDANTS

Thelma & Louise are pendant lights that embody bold design and acoustic performance, each offering its own unique take on form while complementing one another as a pair.

Thelma features precision-cut slotted panels for a structured, graphic look, while Louise offers smooth, curved surfaces for a softer, sculptural presence. Together, they create a versatile lighting solution that enhances both visual and acoustic comfort in modern workspaces, lounges, and hospitality interiors.

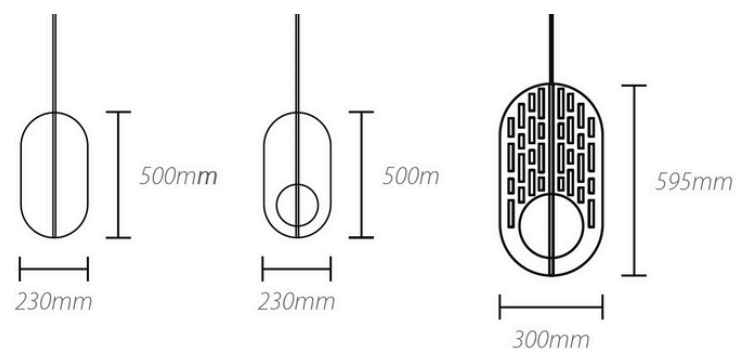
Each pendant houses a globe diffuser that delivers a warm, ambient glow, balancing bold exterior design with soft internal illumination. With sustainable construction and a timeless palette, Thelma & Louise are designed to work beautifully side-by-side—or as standalone features.



Features

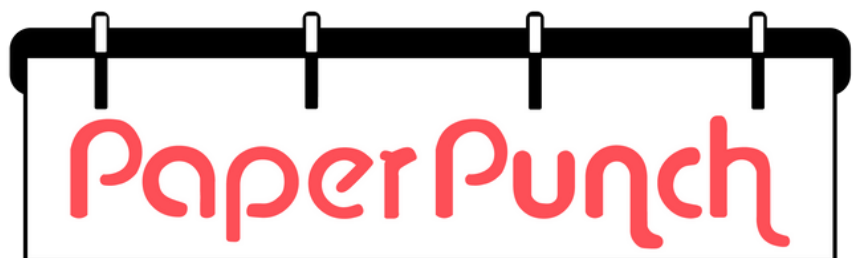
- Acoustic material for effective noise reduction
- Three distinct design variations: slotted (Thelma), smooth (Louise) & no light source (JD)
- Globe diffuser for soft, ambient light
- Bold pendant designs that complement each other or stand alone
- Sustainable fabric construction
- Ideal for modern commercial and hospitality interiors

Dimensions









**20 Orion Business Campus,
Northwest Business Park,
Ballycoolin, Dublin
D15 DK61**

Tel: +353 (0)1 8392232